

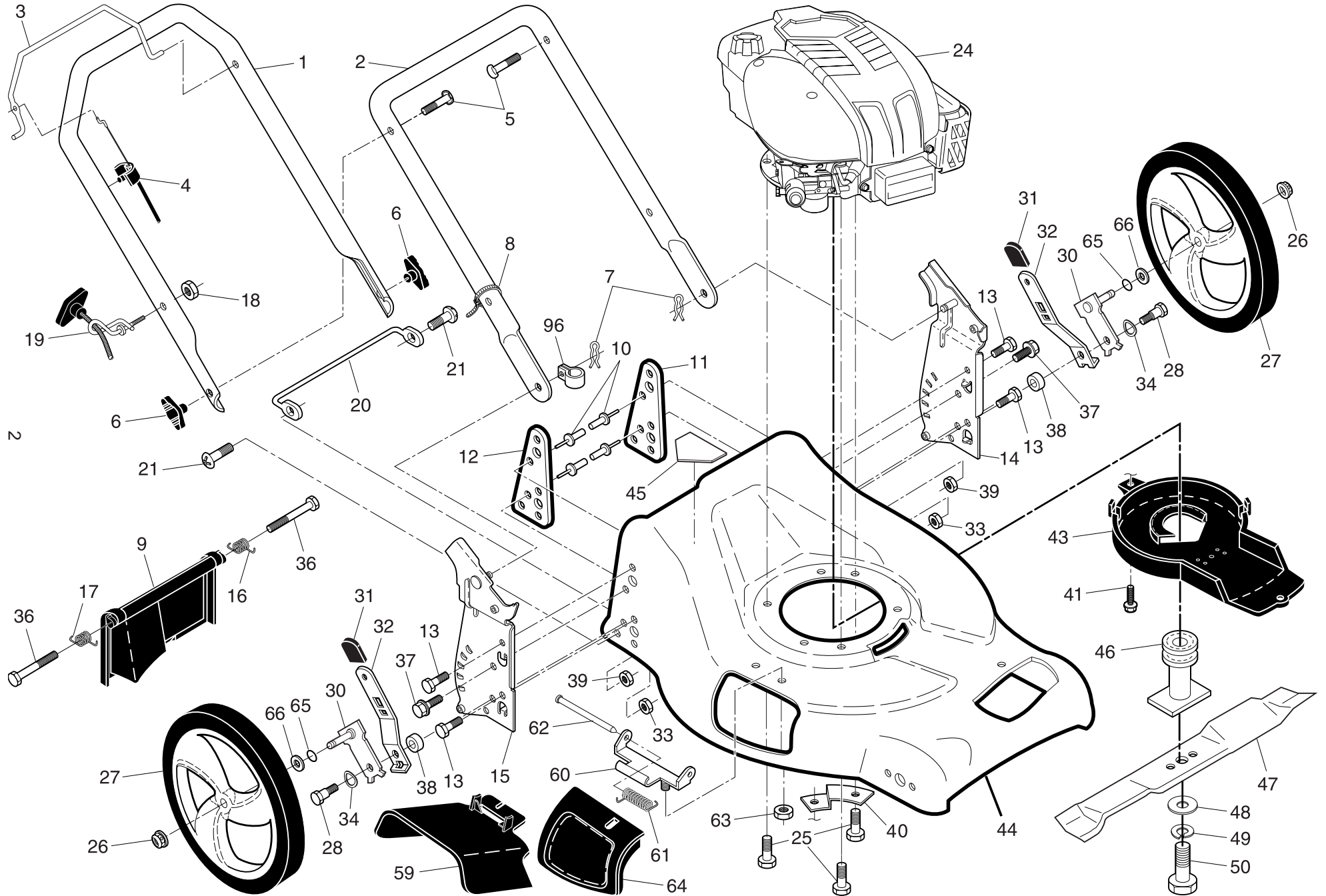
ILLUSTRATED PARTS LIST

MODEL NUMBER M7053D 07

PRODUCT NUMBER 961 41 01-50

MFG. ID. NUMBER 96141015002

ROTARY LAWN MOWER - - MODEL NUMBER M7053D 07 (96141015002) PRODUCT NUMBER 961 41 01-50

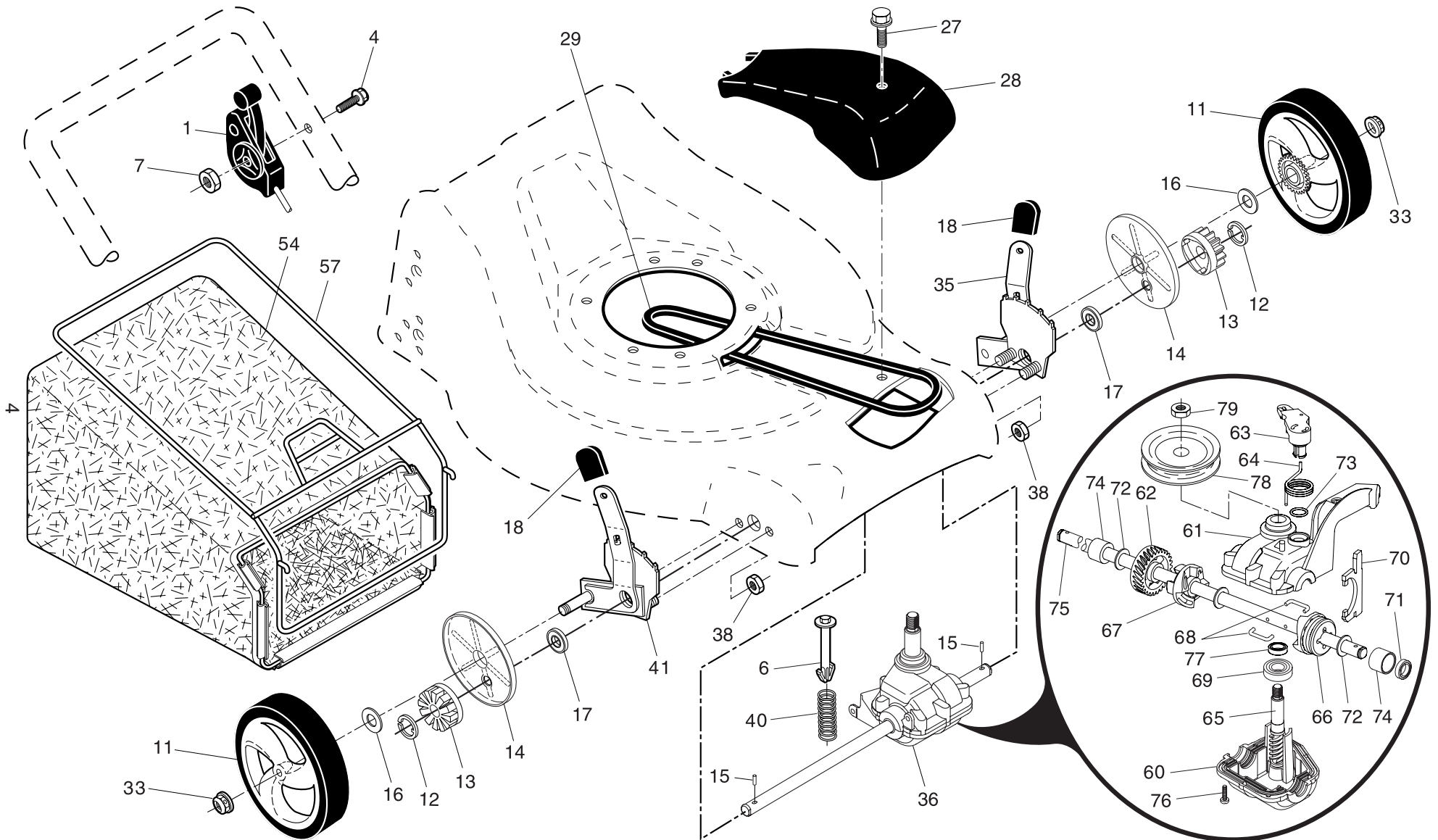


ROTARY LAWN MOWER - - MODEL NUMBER M7053D 07 (96141015002) PRODUCT NUMBER 961 41 01-50

KEY NO.	PART NO.	DESCRIPTION	KEY NO.	PART NO.	DESCRIPTION
1	532 40 29-37	Upper Handle	33	873 80 05-00	Nut, Hex 5/16-18
2	532 15 36-05	Lower Handle	34	532 40 16-30	Washer, Curved, Clyindrical
3	532 18 99-03	Control Bar	36	532 18 41-93	Bolt
4	532 18 35-67	Engine Zone Control Cable	37	874 78 05-12	Thread Cutting Screw w/Sems 5/16-18 x 3/4
5	532 19 15-74	Handle Bolt	38	532 40 16-29	Spacer
6	532 19 19-38	Handle Knob	39	532 15 53-77	Nut, Hex, Flanged 5/16-18
7	532 05 17-93	Hairpin Cotter	40	532 19 09-39	Mounting Bracket, Debris Shield
8	532 06 64-26	Wire Tie	41	532 19 23-25	Screw, Debris Shield
9	532 40 69-85	Rear Door Assembly	43	532 40 58-45	Debris Shield
10	532 12 84-15	Pop Rivet	44	532 40 92-65	Lawn Mower Housing (Includes Key Numbers 10, 11, 12 and 45)
11	532 41 05-40	Support Bracket, LH	45	532 18 21-66	Danger Decal
12	532 41 05-42	Support Bracket, RH	46	532 40 46-33	Blade Adapter / Pulley
13	817 06 04-10	Screw 1/4-20 x 5/8	47	532 19 93-77	Blade 21"
14	532 18 25-43	Handle Bracket Assembly, LH	48	532 85 10-74	Hardened Washer
15	532 18 25-45	Handle Bracket Assembly, RH	49	532 85 02-63	Helical Washer 3/8-24 x 1-3/8 Grade 8
16	532 40 54-17	Spring, Rear Door, LH	50	532 85 10-84	Hex Head Machine Screw 3/8-24 x 1-3/8 Grade 8
17	532 40 54-18	Spring, Rear Door, RH	59	532 17 50-71	Discharge Deflector
18	532 13 20-04	Locknut, Hex 1/4-20	60	532 17 57-35	Hinge Bracket Assembly
19	532 19 47-88	Rope Guide	61	532 19 30-00	Spring, Hinge
20	532 41 35-43	Foot Guard, C.E.	62	532 17 56-50	Rod, Hinge
21	817 49 04-16	Screw, Tapping 1/4-20 x 1/2	63	873 80 04-00	Locknut, Hex 1/4-20
24	- - -	Engine, Briggs & Stratton, Model Number 12S502 (order parts from engine manufacturer)	64	532 17 50-66	Mulcher Door
25	532 15 04-06	Hex Head Thread Rolling Screw 3/8-16 x 1-1/8	65	532 19 74-80	O-Ring
26	532 40 91-49	Hex Flange Nut	66	532 08 83-48	Washer, Flat
27	532 40 35-09	Wheel & Tire Assembly, Rear, 12"	96	532 19 79-91	Clip, Cable
28	532 40 16-38	Shoulder Bolt 5/16-18 x .33	- -	532 18 21-34	Decal, Self-Propelled, Internal (not shown)
30	532 41 31-41	Axle Arm Assembly, Rear	- -	532 40 95-52	Operator's Manual, European
31	532 08 78-77	Selector Knob	- -	532 40 95-53	Operator's Manual, Scandinavian
32	532 40 98-89	Selector Spring	- -	532 40 95-54	Operator's Manual, East Bloc
			- -	532 40 95-55	Operator's Manual, Baltic

NOTE: All component dimensions given in U.S. inches. 1 inch = 25.4 mm. **IMPORTANT:** Use only Original Equipment Manufacturer (O.E.M.) replacement parts. Failure to do so could be hazardous, damage your lawn mower and void your warranty.

ROTARY LAWN MOWER - - MODEL NUMBER M7053D 07 (96141015002) PRODUCT NUMBER 961 41 01-50



ROTARY LAWN MOWER - - MODEL NUMBER M7053D 07 (96141015002) PRODUCT NUMBER 961 41 01-50

KEY NO.	PART NO.	DESCRIPTION
1	532 18 45-87	Drive Control Assembly (Includes Cable)
4	532 15 87-55	Hex Washer Head Screw 1/4-20 x 2.12
6	532 15 04-95	Spring Retainer
7	532 19 17-30	Nut, Hex, Flanged 1/4-20
11	532 40 29-36	Wheel & Tire Assembly
12	812 00 00-58	E-Ring
13	532 40 38-49	Pinion
14	532 18 94-03	Dust Cover
15	532 40 48-45	Pawl, Drive
16	532 06 77-25	Washer 1/2 x 1-1/2 x .134
17	532 19 10-39	Bearing, Wheel Adjuster
18	532 08 78-77	Selector Knob
27	532 17 52-62	Pan Head Tapping Screw #10-24 x 2-3/4
28	532 18 14-67	Drive Cover
29	532 17 54-36	V-Belt
33	532 40 91-48	Locknut, Hex
35	532 40 88-62	Kit, Wheel Adjuster, LH (Includes Knob and Bearing)
36	532 41 52-25	Gear Case Assembly, Complete
38	873 80 04-00	Locknut 1/4-20
40	532 13 70-90	Spring
41	532 40 88-61	Kit, Wheel Adjuster, RH (Includes Knob and Bearing)
54	532 19 48-53	Grassbag Assembly

KEY NO.	PART NO.	DESCRIPTION
57	532 41 19-50	Frame, Grassbag
60	532 18 34-97	Case, Lower
61	532 18 34-98	Case, Upper
62	532 18 34-99	Gear, 27 Teeth
63	532 18 35-00	Lever, Clutch
64	532 18 35-01	Spring, Return
65	532 41 69-88	Shaft, Input
66	532 18 35-03	Dog, Movable
67	532 18 35-04	Dog, Fixed
68	532 18 35-05	Wire, Formed
69	532 18 35-06	Bearing, Ball
70	532 18 35-07	Fork, Shift
71	532 18 35-08	Seal, Output Shaft
72	532 18 35-09	Washer
73	532 18 35-10	Seal, Case
74	532 18 35-11	Bushing
75	532 19 65-61	Shaft, Output
76	532 18 35-13	Screw
77	532 18 35-14	Seal, Input Shaft
78	532 41 69-87	Pulley, Drive
79	532 41 69-86	Locknut, Hex

NOTE: We advise Total Multis EP00 semi-liquid grease or a comparable grade (quantity 1.15 oz)

NOTE: All component dimensions given in U.S. inches. 1 inch = 25.4 mm. **IMPORTANT:** Use only Original Equipment Manufacturer (O.E.M.) replacement parts. Failure to do so could be hazardous, damage your lawn mower and void your warranty.